

TAVEL PLUS

New range of front-fixed closing handles

MAIN FEATURES

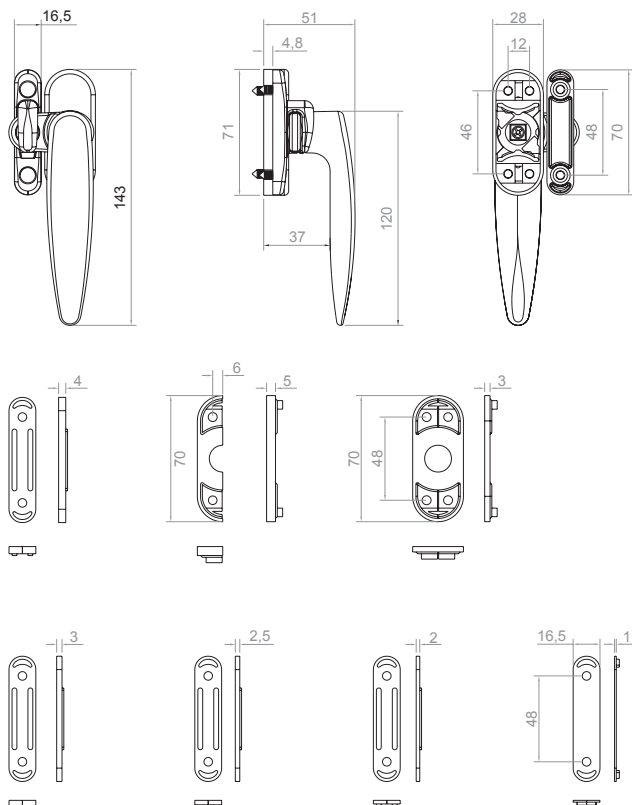
- Restyled look; two versions
- Outstanding slide
- Formidable sturdiness
- Non-handed
- Inward and outward opening
- Highly solid fix
- Concealed fixing screws
- Vast supply of spacers for all limit stop heights
- Key version available



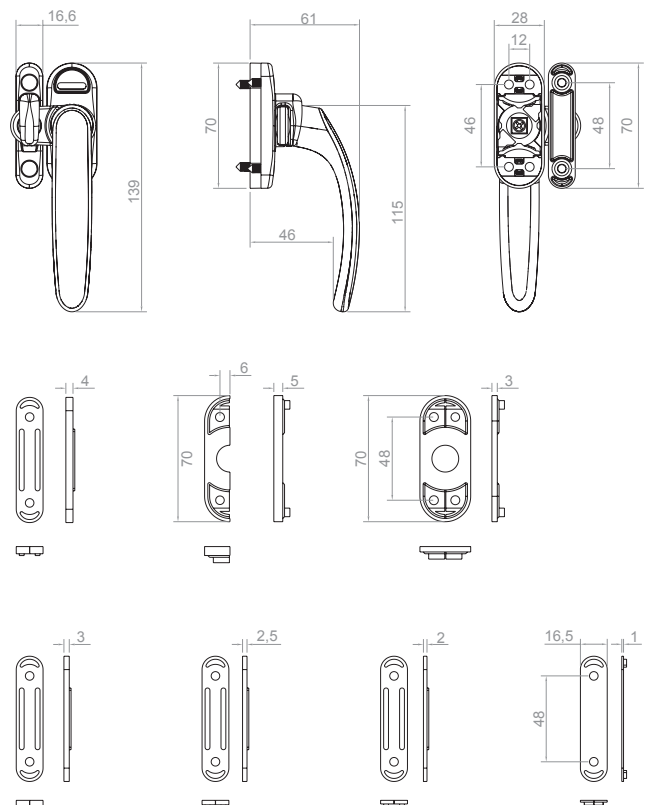
812.1
812.751
812.800
813

TECHNICAL DRAWINGS

812.1



813

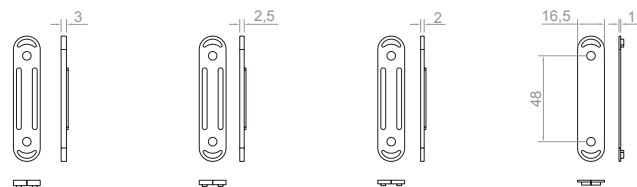
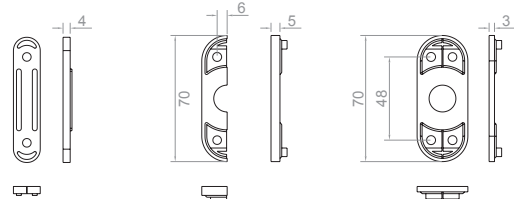
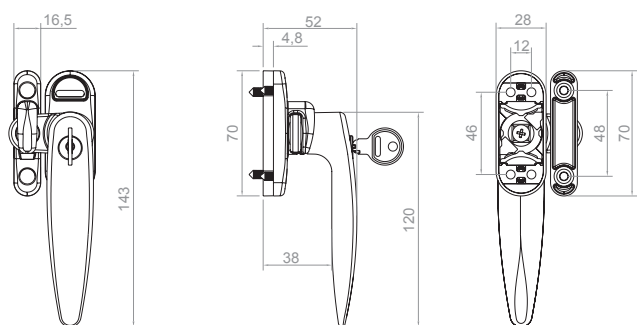


TAVEL PLUS

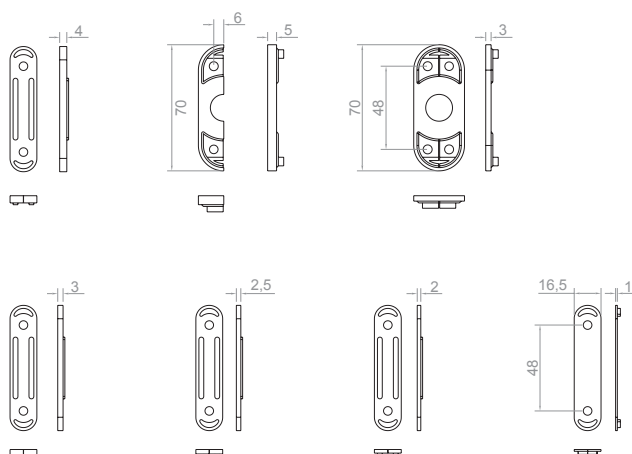
New range of front-fixed closing handles

812.1
812.751
812.800
813

812.751



812.800



MATERIALS

- Drawer, cover and handle in coated Zamak
- 6 self-threading fixing screws
- TP 4.2 x 15 galvanized screws

ARTICLE	NAME	DESCRIPTION	STANDARD FINISH	PCS. IN
812.1	TAVEL PLUS	Reversibile front-fixed closing handle	9010, 9005, C	10
812.751	TAVEL PLUS	Reversibile front-fixed closing handle with key	9010, 9005, C	10
812.800		Spacers for 812 and 813 handles	.74, .78	10
813	TAVEL PLUS	Reversibile front-fixed closing handle	9010, 9005, C	10

TAVEL PLUS

New range of front-fixed
closing handles

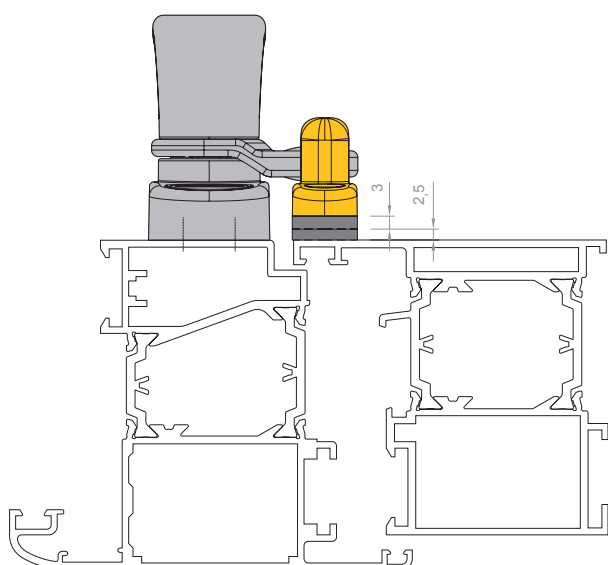
812.1
812.751
812.800
813

INSTALLATION

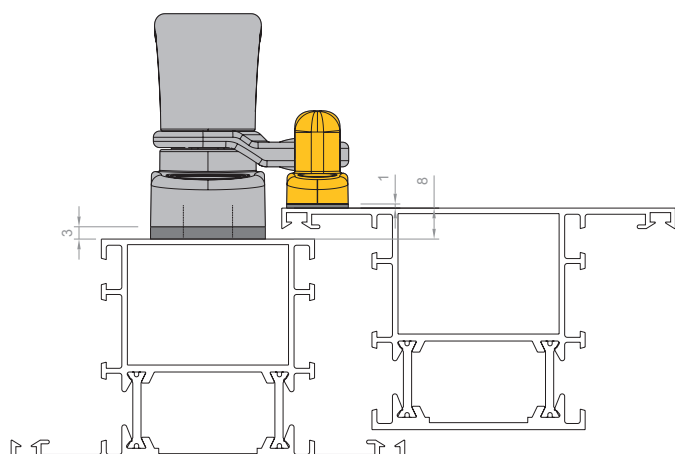
The handle can be installed on several applications. Pre-arranged for application on flush and stepped profiles. The standard version includes spacers for overlay up to 8 mm. A kit of spacers is also available for higher steps.

OUTWARD OPENING

flush

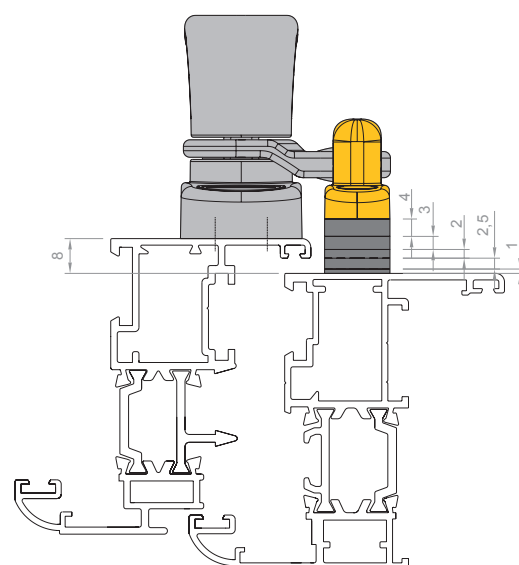


stepped

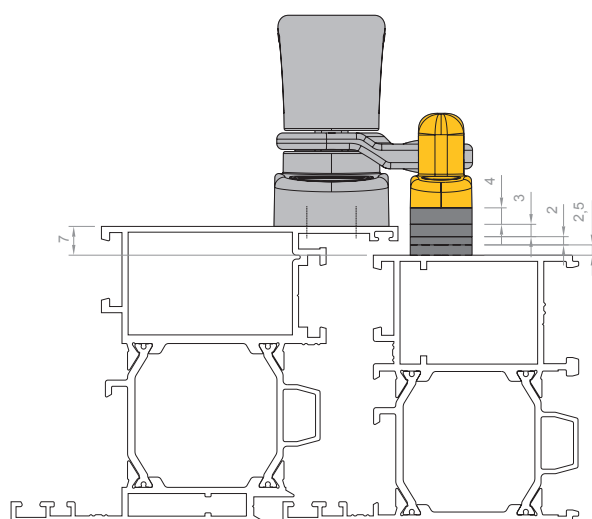


INWARD OPENING

stepped



stepped



TAVEL PLUS

New range of front-fixed
closing handles

812.1
812.751
812.800
813

REVERSIBILITY

The handles are all reversible and are delivered preassembled on the right. To change their side, simply unscrew the lock screws of the handle and turn the fastening and internal limit stop.

TRANSFORMATION FROM RIGHT TO LEFT HAND

